

Accessories

Contents

ACC-1	1.1 Weld Lens Assembly	ACC-3	1.4 Accessory Mounting Brackets for the 37, 47 and 57
ACC-1	1.1.1 Weld Lens Assembly Installation	ACC-3	1.4.1 Mount Bracket Installation
ACC-2	1.2 Weld Shield Assembly	ACC-4	1.5 BandMask® Hood with Molded Face Seal
ACC-2	1.2.1 Weld Shield Assembly Installation	ACC-5	1.6 SuperFlow® First Stage Regulator P/N 305-161
ACC-2	1.3 Weld Shield Assembly	ACC-5	1.7 Overpressure Relief Valve
ACC-2	1.3.1 Weld Shield Assembly Installation	ACC-5	1.8 Zinc Anode Kit

For many accessories not shown here, specific to your model helmet or BandMask®, please visit our website www.kirbymorgan.com. Go to your model's accessories tab and spares kits tab.

1.1 Weld Lens Assembly

1.1.1 Weld Lens Assembly Installation

Tools required:

- ⅜ inch Open End Wrench
- ¼ inch Flat Blade Attachment on Torque Screwdriver

1) Remove the two plug screws from the port retainer. Refer to the drawing included with the weld lens assembly kit for the remainder of the location numbers.



Remove the two plug screws from the port retainer.

2) Insert the screws through the weld lens mount

⚠ WARNING

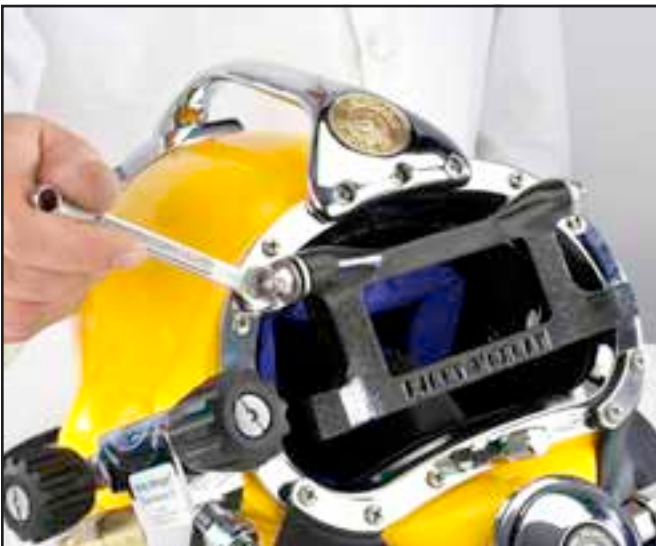
Use only the screws provided with the Weld Lens Kit for installation of this assembly. Longer screws will damage the helmet shell and/or the threaded inserts. This could cause flooding through the port.



Install the screws through the mount ears.

3) With the shield facing out from the helmet or mask, install and tighten the two mount screws into the port retainer ears.

4) Tighten the two lock nuts on the ends of the hinge studs so that the welding lens assembly can be flipped up, but will not fall down from its own weight.



Tighten the weld lens assembly.

1.2 Weld Shield Assembly

1.2.1 Weld Shield Assembly Installation

Tools required:

- 3/8 inch Open End Wrench
- 1/4 inch Flat Blade Attachment on Torque Screwdriver

1) Remove the two plug screws from the port retainer. Refer to the drawing included with the weld shield assembly kit for the remainder of the location numbers.

2) Insert the mount screws through the spacer washers and then through the weld shield mount ears.

3) With the shield facing out from the helmet or mask, install and tighten the two mount screws into the port retainer.

1.3 Weld Shield Assembly

1.3.1 Weld Shield Assembly Installation

Tools required:

- 3/8 inch Open End Wrench
- 1/4 inch Flat Blade Attachment on Torque Screwdriver

1) Remove the two plug screws from the port retainer. Refer to the drawing included with the weld shield assembly kit for the remainder of the location numbers.

2) Insert the mount screws through the spacer washers and then through the weld shield mount ears.

3) With the shield facing out from the helmet or mask, install and tighten the two mount screws into the port retainer.



Weld Shield Assembly

1.4 Accessory Mounting Brackets for the 37, 47 and 57

An optional Bracket Kit (Part # 525-717) is available for mounting accessory lights, cameras etc. on the Kirby Morgan 37, 47 or 57.



Completed Installation of Mounting Brackets

1.4.1 Mount Bracket Installation

1) Remove two port retainer screws, one on either side of the TV handle. These will not be reused to mount the brackets.



Remove the two port retainer screws

2) To install the port and starboard accessory mount brackets P/N 540-130 & 540-132, the handle must be removed as described in the Operations and Maintenance manual. Remove the two accessory bracket mounting screws and washers located on the top. These will be reused to mount the brackets.

3) Position the two accessory brackets on the helmet and reinstall the two accessory bracket mounting screws and washers that go into the top weight. Do not tighten these yet.

4) Align the holes in the front part of the brackets with the holes in the port retainer. Install one screw in each bracket in the outer mount holes. (Screw P/N 530-040 supplied in the kit) Do not tighten yet.



Position the two mount brackets on the helmet

5) Position the handle on the helmet and align all the holes. Install new screws P/N 530-043. First install the 2 outer screws, but **DO NOT TIGHTEN**. Slide the washer P/N 530-556 between the handle and the port retainer and install the center handle screw through the washer. Leave loose.

6) Thread the rear handle mount screw and washer into the top weight. Leave this screw loose as well.



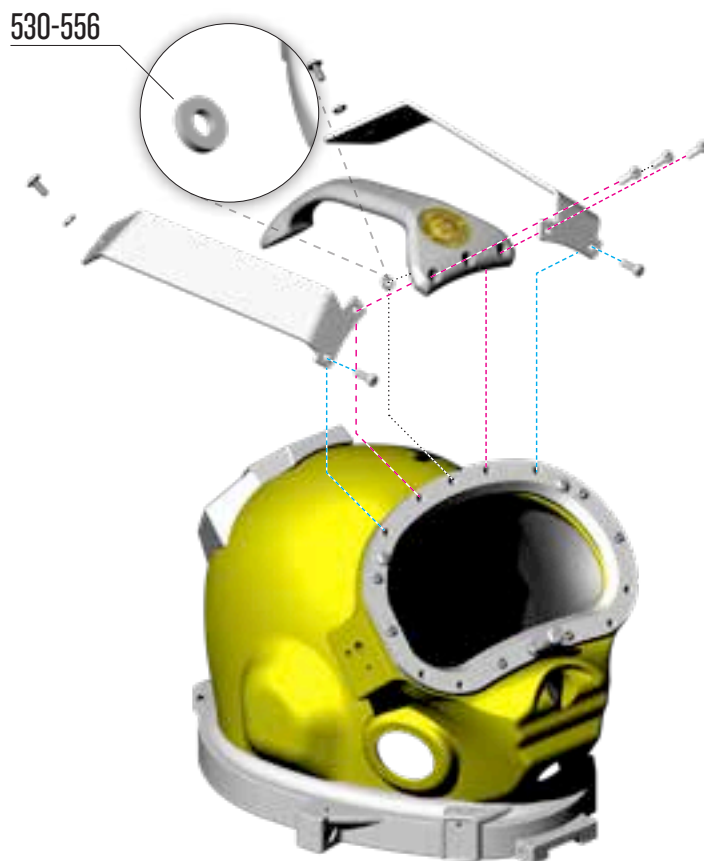
Reinstall the two top weight screws and washers

7) Tighten screws. Torque the front handle and accessory bracket mount screws first. Torque to 12 inch pounds.

DO NOT OVERTIGHTEN SCREWS!

Over torquing these screws can cause severe damage to the helmet shell and the port retainer mounting inserts. Always use a torque screwdriver to tighten any port retainer screws.

8) Torque the handle and accessory mounting screws on the top weight to 30 inch pounds.



1.5 BandMask® Hood with Molded Face Seal

The BandMask Hoods with molded face seals in an array of combined hood and seal sizes. The life span & durability of the molded face seal is superior to that of the foam & neoprene style. Choose the size right for you and enjoy the comfort and superior design of this new hood & seal.



BandMask® Hood with Molded Face Seal

1.6 SuperFlow® First Stage Regulator P/N 305-161

This CE approved, low maintenance, high flow regulator, Part # 305-161, makes an excellent bailout first stage.

The balanced piston ensures a minimum cracking pressure and a minimum pressure drop across the entire breathing cycle. It has four standard low pressure outlets plus one “straight through” high flow port designed to be used with an optional big bore low pressure hose. Two high pressure ports are standard as well. Use our overpressure relief valve, P/N 200-017, with this regulator.



SuperFlow® First Stage Regulator P/N 305-161

1.7 Overpressure Relief Valve

The KMDSI Overpressure Relief Valve, (P/N 200-017) is fully adjustable and serviceable and has been designed to relieve any over-pressurization of the first stage regulator greater than the desired setting.

Every bailout (Emergency Gas System or EGS) first stage regulator must be fitted with an overpressure relief valve to prevent over pressurization of the EGS L.P hose in the event the first stage develops a “creep” (i.e., leaks pressure)



Overpressure Relief Valve P/N 200-017

1.8 Zinc Anode Kit

Anode kits are designed to minimize and reduce the corrosive effects of salt water exposure and to help combat electrolysis when cutting and welding. There are three different kits that cover all the KMDSI Helmets. The BandMasks® simply use two Zinc whisker plate anodes, P/N 560-300. Use kit P/N 525-374 for SL 27, KM 37, KM 47, KM 57 and SL 17K helmets, P/N 525-375 for all stainless steel helmets and P/N 525-376 for SL 17B and 17C helmets.



Zinc Anode Kit P/N 525-374 (SL 27®, KM 37, 47, 57)